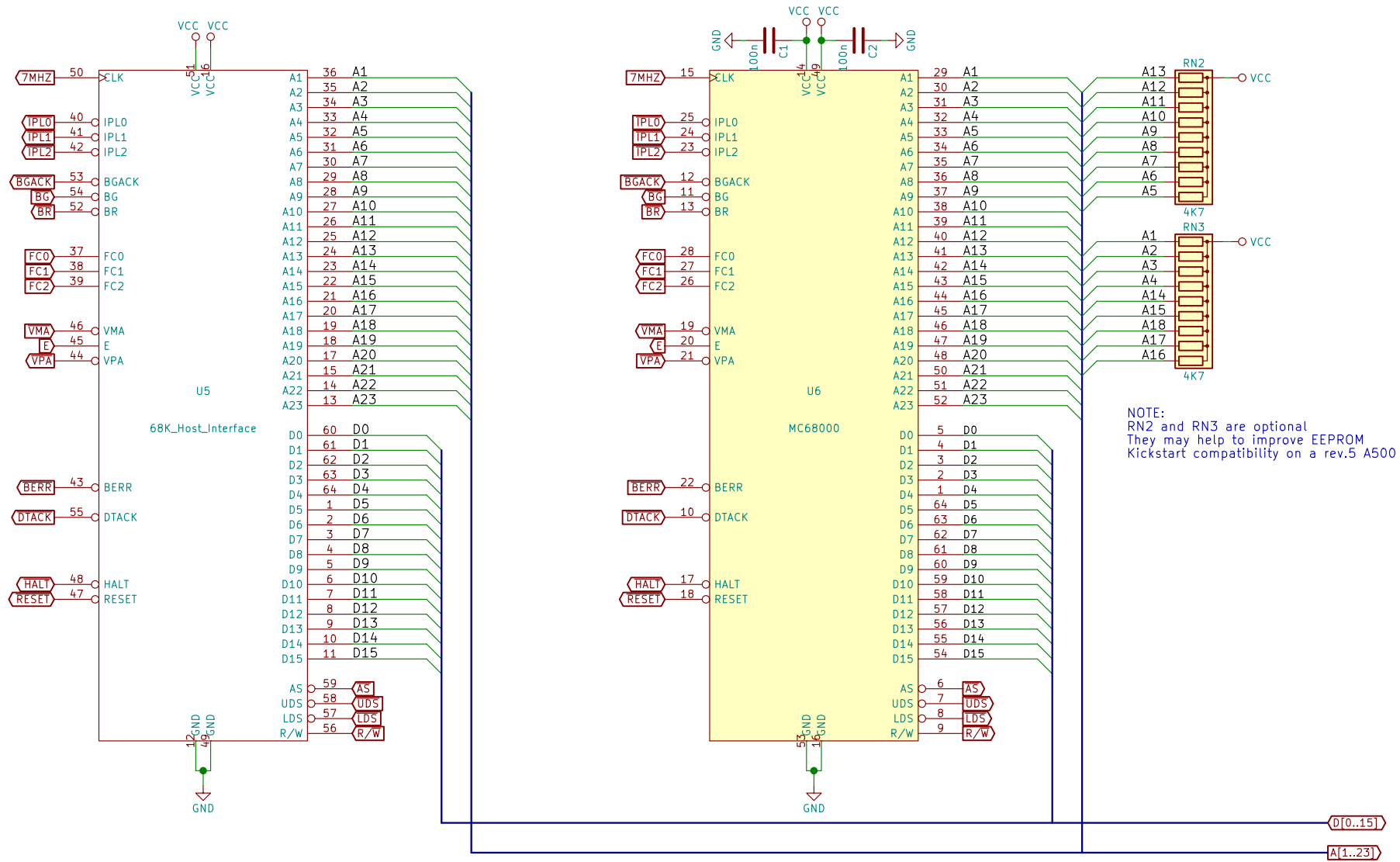


1-2 selects A13 for CS2 (default)
2-3 selects inverse of A12 for CS2

by Dennis van Weeren	
Sheet: /	
File: A500ide_PCB.sch	
Title: A500ide	
Size: A4	Date: 2017-05-21
KiCad E.D.A. kicad 4.0.6	Rev: 1.0
	Id: 1/2



NOTE:
RN2 and RN3 are optional
They may help to improve EEPROM
Kickstart compatibility on a rev.5 A500